

Features

- Robust steel tube frame.
- Insulated tank to prevent sweating.
- Large flush actuator plate opening can be removed for easy access to inner tank.
- Adjustable height allows bowl to be set anywhere 15#" - 28½" (391 - 724 mm) from floor.
- Dual-flush actuator offers a choice of 0.8 or 1.6 gpf (3.0 or 6.0 lpf).
- Combines with the K-6299 bowl to create a complete K-6303 Veil toilet or with a K-6300 bowl to create a complete K-6304 Veil toilet.

Technology

- Dual-flush technology allows you to choose between a full or partial flush.

Installation

- Durable steel frame carrier is installed on 2"x6" studs behind the wall. See installation guide and installation video for more detailed information.
- When installed per KOHLER's installation instructions, the KOHLER in-wall tank and carrier system can support up to 880 lbs. without damage.
- Supply line sold separately.

Water Conservation & Rebates

- Eligible for consumer rebates in some municipalities.

Recommended Products/Accessories

- K-6291 Wall-Hung Toilet Cast Iron Waste Pipe
- K-6300 Wall-hung elongated toilet bowl
- K-6299 Wall-hung compact elongated dual-flush toilet

Included Components

Product consists of:

- K-6298 Flush Actuator Plate

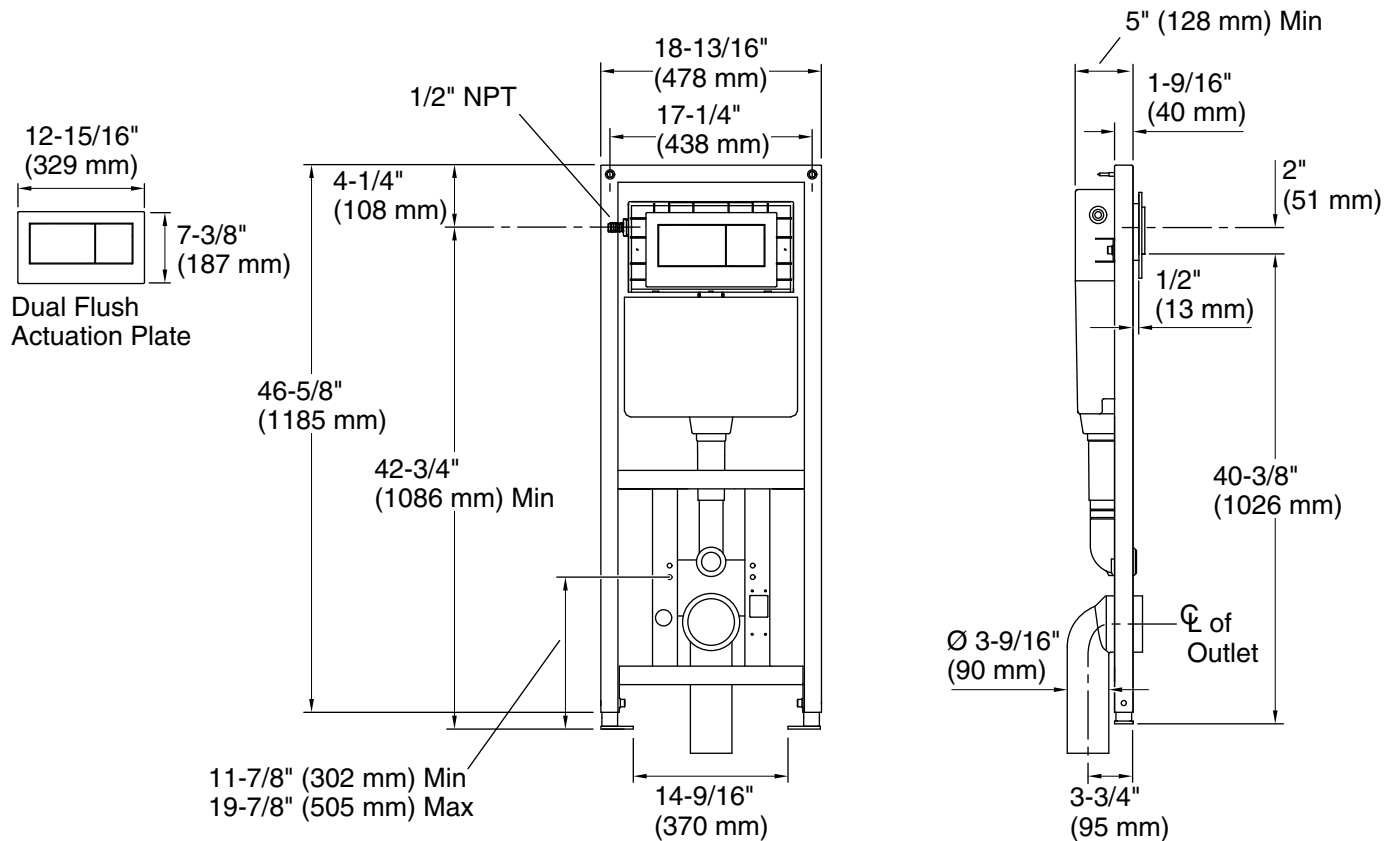


Codes/Standards

- ASME A112.19.14
- ASME A112.6.2
- DOE - Energy Policy Act 1992

KOHLER® Toilets and Seats Limited Warranty

See website for detailed warranty information.



Technical Information

All product dimensions are nominal.

Toilet type: In-wall, In-wall mount
 Waste Outlet: Wall
 Rough-in: 4" (102 mm)

Fixture Supply Requirements

Min static pressure: 20 psi (137.9 kPa)
 Max static pressure: 80 psi (551.6 kPa)
 Min flowing pressure: 15 psi (103.4 kPa)
 Min flow rate: 1 gpm (3.8 lpm)

Notes

Install this product according to the installation instructions.
 Installation requires 2x6 framing.
 Install the in-wall tank and carrier system in a wall opening 5-1/2" (140 mm) x 19" (483 mm) x 50" (1270 mm) minimum.
 Maximum inlet water temperature shall not exceed 80°F (26.7°C).